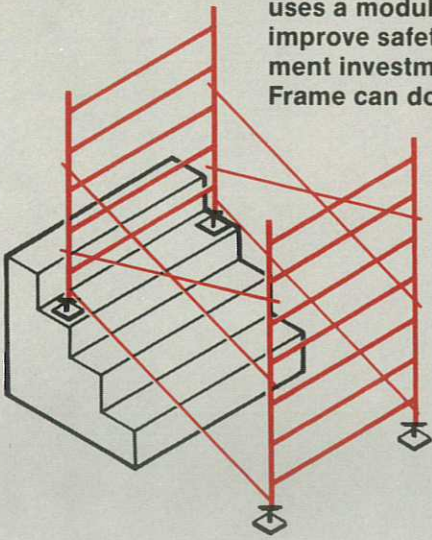




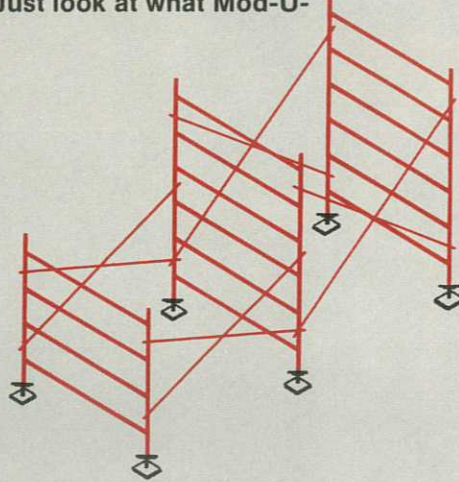
MOD-U-FRAME™ the smartest

Mod-U-Frame is a revolutionary box frame that uses a modular design to increase versatility, improve safety, and reduce your overall equipment investment. Just look at what Mod-U-Frame can do!



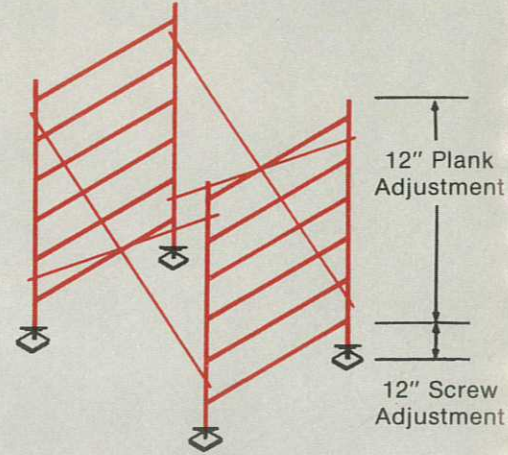
MORE VERSATILE

Set-up on steps, inclines and uneven ground without special equipment.



MORE COST EFFECTIVE

Mix frame heights with no problem.



MORE ACCURATE

12" plank height adjustment and 12" screw adjustment lets you hit the best possible working height.

This is how MOD-U-FRAME does it all!

Full width ledgers every 12"

- Provides ladder access
- Permits planking at optimum working height
- Provides end guard rail security when planked at or below the 4th ledger from the top

Locks every 12"

- Maximum utilization of cross brace inventory (5' and larger frames can use 4' x 7', 3' x 7', or 2' x 7' braces) Note: Closer lock spacings will reduce load capacity.
- Guard rails can be easily moved with platform height changes
- Permits staggered base heights such as stairs or uneven ground

Modular frame heights (5' and 6')

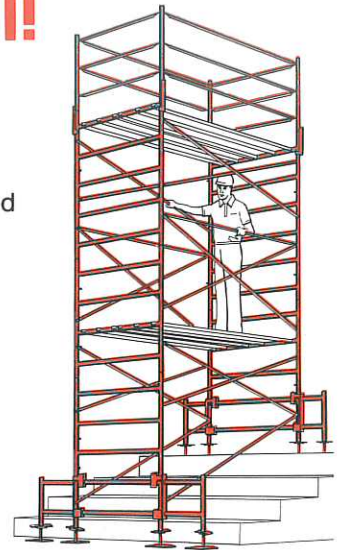
- Enables mix and match of frame sizes while maintaining ladder access, lock spacing and planking heights (4' and 7' high frames are also available however the versatility of the frame seldom requires these special sizes)

45" frame width

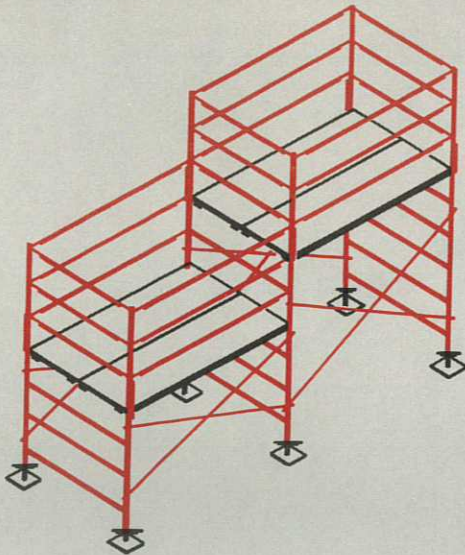
- Easy to handle
- Requires less yard space
- Two aluminum or four wood planks fill a frame
- Frames are easily transported in a pick-up truck

Economical

Mod-U-Frame is the most practical box frame ever developed for rolling or stationary tower applications. Along with eliminating the need for clamp-on ladders, the Mod-U-Frame outrigger base has been designed to also serve as the side bracket. Because it is modular, should an end of the frame be damaged, Mod-U-Frame can be repaired by removing one foot of the damaged end and still be a useful shorter frame. With all of these benefits plus the ability to interchange frame heights for maximum inventory utilization, your overall investment can be greatly reduced with Mod-U-Frame.

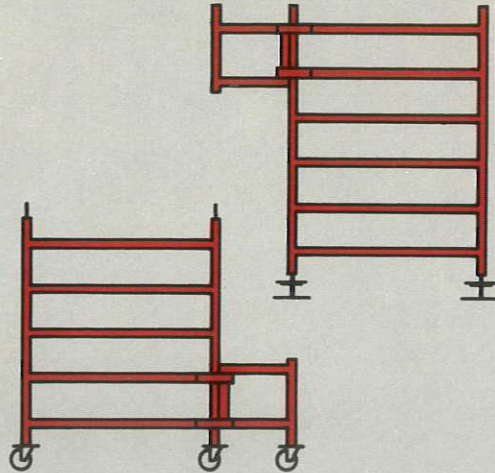


innovation in scaffold frames since steel



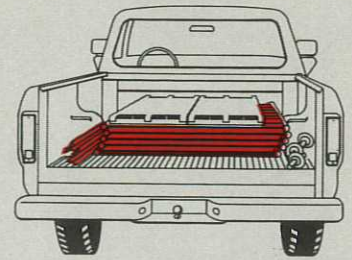
MORE SAFE

Frames provide ladder access and the guard rails can be moved with the plank height, plus full planking is possible at all levels.



MORE PRACTICAL

The side bracket is also the outrigger bracket. **Warning:** When using side brackets, ties are required.



MORE COMPACT

The frames are only 45" wide which allows them to fit neatly into a pick-up truck and they only require two aluminum planks to fill the frame.

Guard Rail Post
Part #0140-20
Weight: 8.3 lbs.



Horizontal Diagonal Brace
Part #0142-07 Part #0142-10
7' — Weight: 9.4 lbs. 10' — Weight: 16.4 lbs.

Angle Cross Brace
Part #0244-07
7' — Weight: 16.7 lbs.
Part #0244-10
10' — Weight: 22.0 lbs.

Guard Rail Sleeve (with Gravity Lock)
Provides locks at frame joint or at top of frame
Part #0140-19
Weight: 2.0 lbs.

Guard Rail
Part #0327-07
7' — Weight: 7.2 lbs.
Part #0327-10
10' — Weight: 10.5 lbs.
Part #0327-35
41" End Rail - Weight: 4.8 lbs.

All Aluminum Planks
Part #6054-07
7' — Weight: 25.5 lbs.
Part #6054-10
10' — Weight: 36.5 lbs.

End Frame
Part #0145-00
45" wide x 5' high
Weight: 34.4 lbs.

End Frame
Part #0146-00
45" wide x 6' high
Weight: 37.7 lbs.

Coupling Pin
Part #0205-00
Weight: .05 lbs.

Screw Jack
Part #0306-00
Weight: 12.2 lbs.

Base Plate
Part #0300-00
Weight: 2 lbs.

Caster
Part #0318-04
Weight: 12 lbs.

Outrigger/ Side Bracket
Part #0147-32
Weight: 12.5 lbs.

